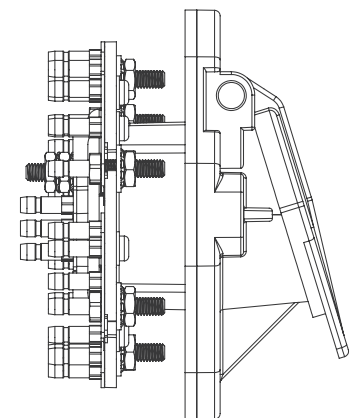
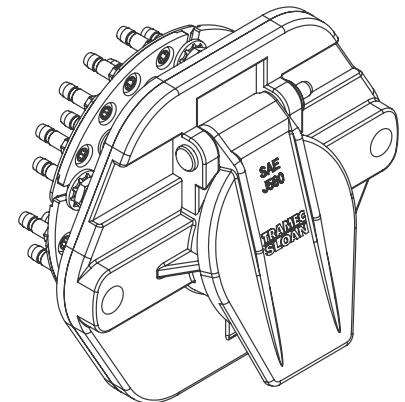
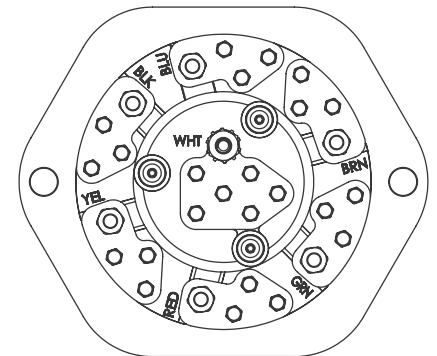


30-PIN RECEPTACLES

U.S. MADE NYLON AND ZINC J560 RECEPTACLES
WITH AND WITHOUT ADAPTER BOXES



FEATURES & BENEFITS

1. 30-Pin SAE J560 receptacles are available with a choice of nylon or zinc bodies with solid or split pins.
2. One stud of each circuit group has a larger hex (5/16"). This stud may be removed and reinstalled through #10 ring terminals when more than four leads are needed.
3. Receptacles have one #10 terminal and six \varnothing .180 push-ons at White (ground).
4. Each circuit; Brown, Green, Red, Yellow, Black, and Blue, can support up to four \varnothing .180 push-on connections with one #10 terminal.



30-PIN RECEPTACLES

30-PIN, 7-WAY RECEPTACLE - NYLON

- Made of non-corrosive, reinforced nylon
- SAE J560 nylon style receptacles & adapter box
- For chassis ground option, add suffix "G"
- 4-inch deep adapter box
- Adapter boxes have standard mounting dimensions.
- Kits include gasket, grommet, and receptacle mounting screws, but do not include box mounting hardware.

P/N	DESCRIPTION	PINS
38304	30-Pin Nylon Receptacle	Solid
38305	30-Pin Nylon Receptacle	Split
38306	30-Pin Nylon Receptacle & Adapter Box	Solid
38307	30-Pin Nylon Receptacle & Adapter Box	Split



30-PIN, 7-WAY RECEPTACLE - ZINC

- SAE J560 zinc style receptacles & adapter box
- 3-inch deep adapter box
- Adapter boxes have standard mounting dimensions.
- Kits include gasket, grommet, and receptacle mounting screws, but do not include box mounting hardware.

P/N	DESCRIPTION	PINS
38844	30-Pin Zinc Receptacle	Solid
38845	30-Pin Zinc Receptacle	Split
38848	30-Pin Zinc Receptacle & Adapter Box	Solid
38849	30-Pin Zinc Receptacle & Adapter Box	Split

