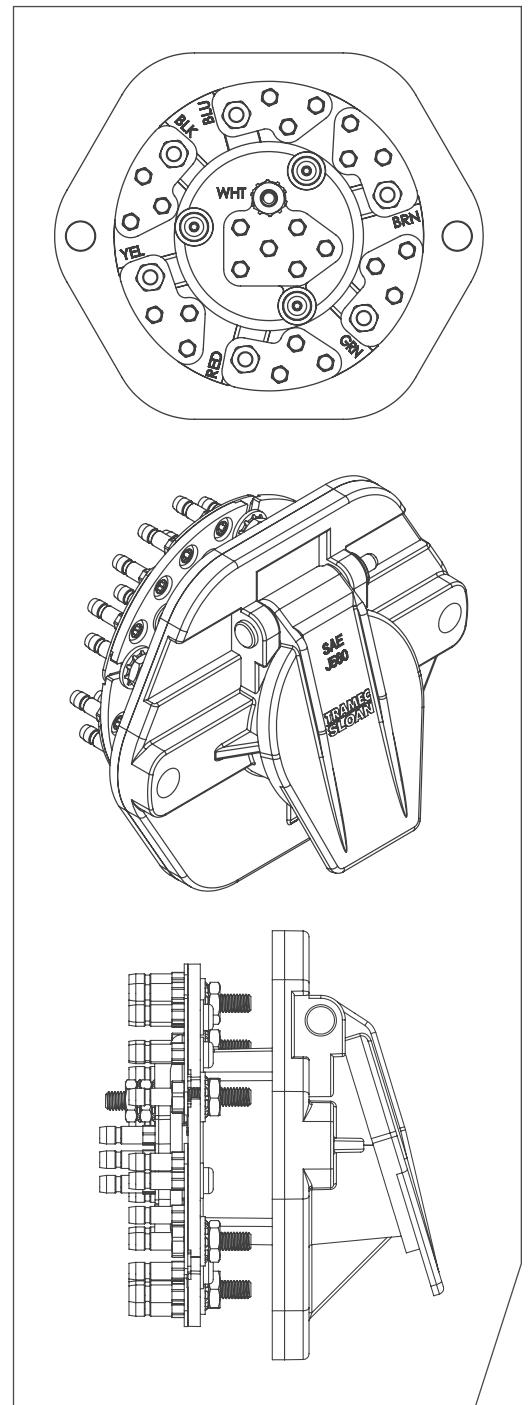
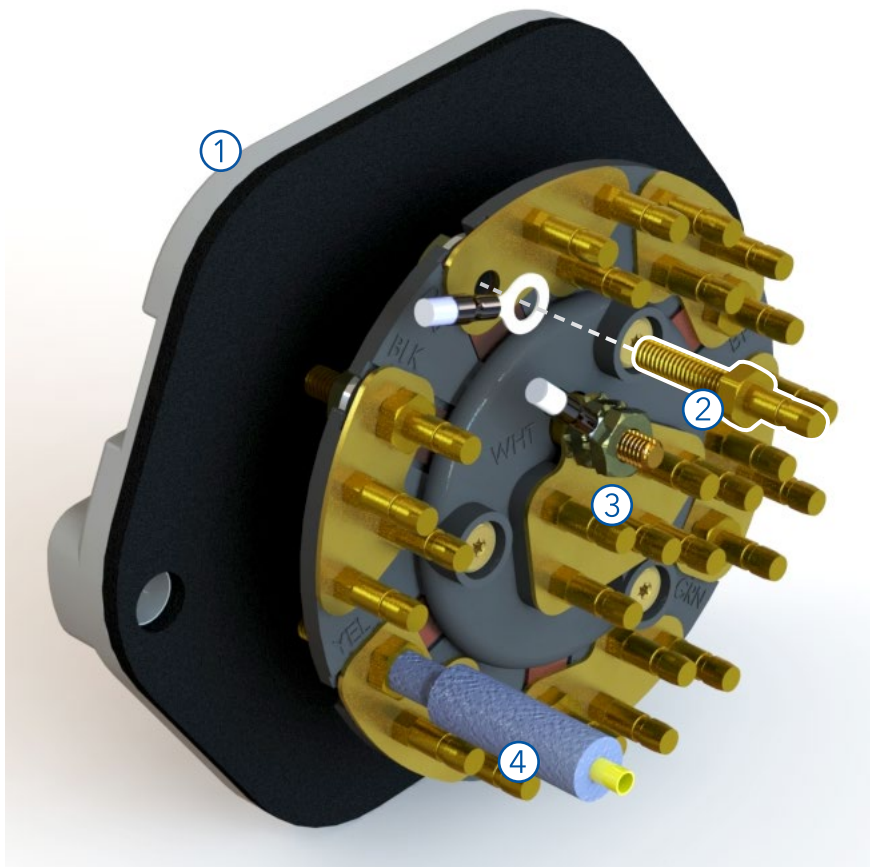


30-PIN RECEPTACLE

30-PIN, 7-WAY RECEPTACLE SYSTEMS



FEATURES & BENEFITS

1. 30-Pin SAE J560 receptacles are available with a choice of nylon or zinc bodies.
2. One stud of each circuit group has a larger hex (5/16"). This stud may be removed and reinstalled through #10 ring terminals when more than four leads are needed.
3. Receptacles have one #10 terminal and six \varnothing .180 push-ons at White (ground).
4. Each circuit; Brown, Green, Red, Yellow, Black, and Blue, can support up to four \varnothing .180 push-on connections with one #10 terminal.
5. Available with solid and split pins.

30-PIN RECEPTACLE



30-PIN NYLON 7-WAY RECEPTACLE

- Made of non-corrosive, reinforced Nylon.
- SAE J560 Nylon Style Receptacles & Box
- For chassis ground option, add suffix "G"
- 4-inch deep adapter box
- Kits include gasket, grommet, and receptacle mounting screws, but do not include box mounting hardware.*

SOLID PIN P/N	SPLIT PIN P/N	DESCRIPTION
38304	38305	30-Pin Nylon 7-Way Receptacle System - Receptacle Only
38306	38307	30-Pin Nylon 7-Way Receptacle System - Receptacle and Adapter Box

*Adapter boxes have standard mounting dimensions



30-PIN ZINC 7-WAY RECEPTACLE

- SAE J560 Zinc Style Receptacles & Box
- 3-inch deep adapter box
- Kits include gasket, grommet, and receptacle mounting screws, but do not include box mounting hardware.*

SOLID PIN P/N	SPLIT PIN P/N	DESCRIPTION
38844	38845	30-Pin Zinc 7-Way Receptacle System - Receptacle Only
38848	38849	30-Pin Zinc 7-Way Receptacle System - Receptacle and Adapter Box

*Adapter boxes have standard mounting dimensions



Tramec Sloan, LLC.
 TRAMECSLOAN.COM
 P: 800.336.7778
 F: 877.286.6515
 LIT-FS-33 | V. 081215